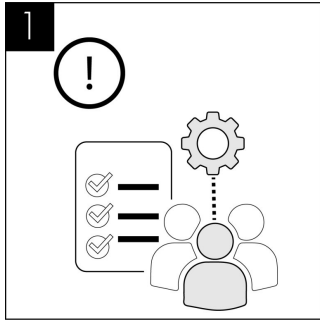


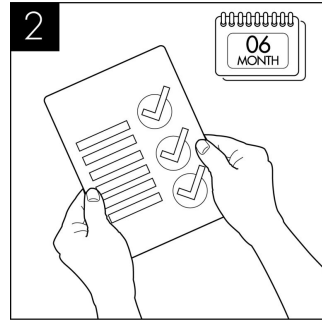
Maintenance & Cleaning

Sanitisation Guide

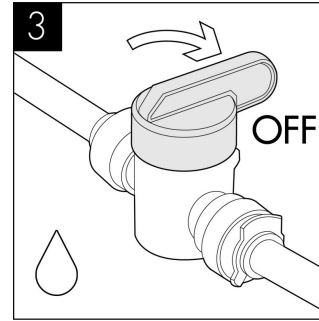
NOTE: Failure to use sanitising products and processes approved by Borg & Overström will invalidate your warranty.



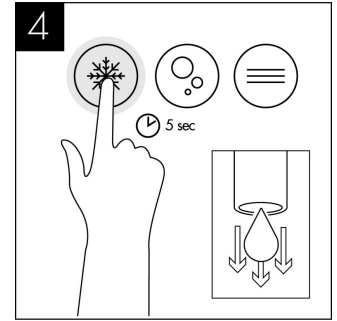
This operation must only be carried out by trained staff.



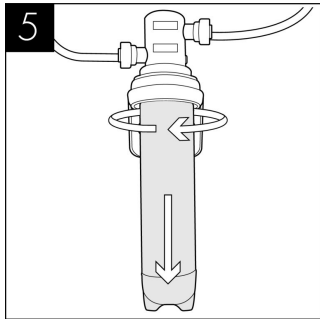
A sanitisation procedure is recommended every 6 months.



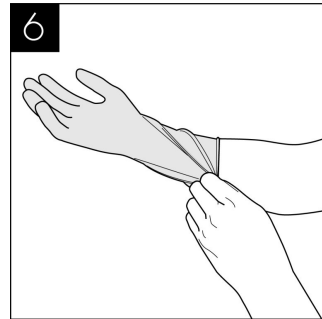
Turn off incoming mains water



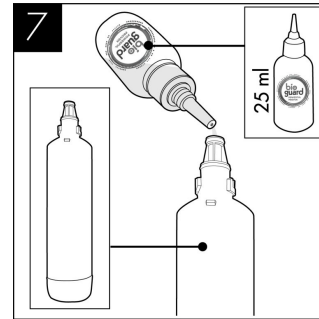
Briefly press chilled dispense button to release internal water pressure from the machine.



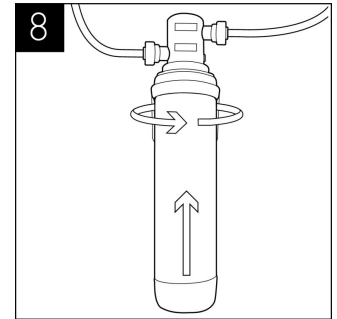
Remove the existing filter



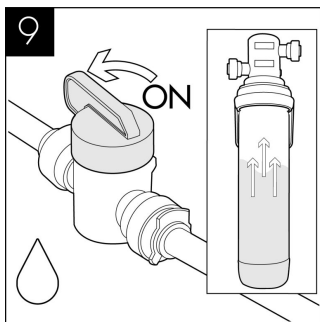
Use hand gel and put on protective gloves.



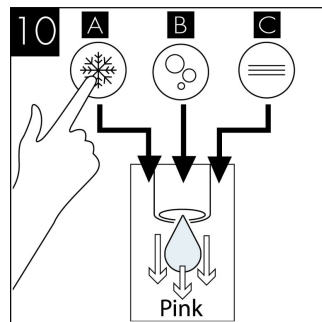
Add 25 ml of Bioguard Internal Sanitising Solution to a clean and empty service filter cartridge.



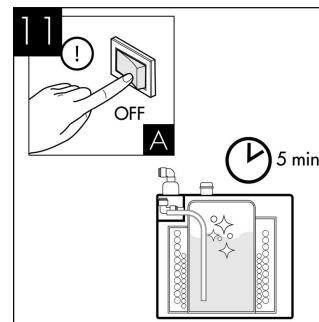
Connect to filter head.



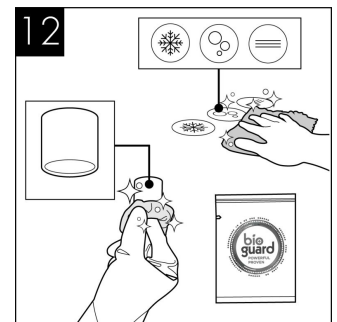
Turn on incoming water, allow the service filter cartridge to fill



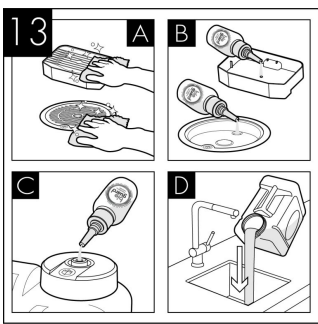
Dispense water using the chilled button until the water appears pink. Repeat with sparkling & ambient water buttons.



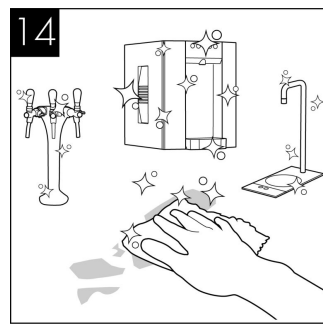
Leave the solution inside machine for sanitisation to take effect (minimum 5 minutes) while thoroughly cleaning the dispenser externally. (All maintenance operations must be carried out with the dispenser switched off.)



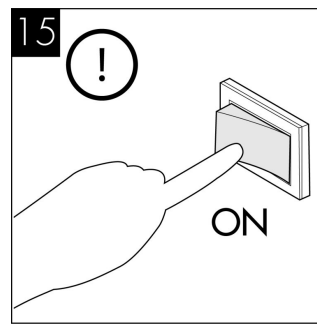
Pay particular attention to the dispense faucet and the push button controls. For this use Sterizen External Sanitiser and Sanitising Wipes.



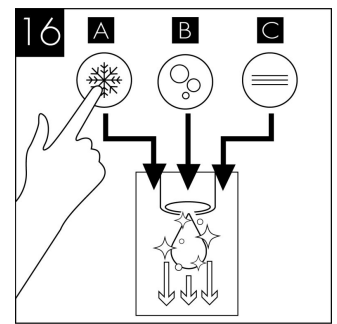
Remember to include the drip tray. If a Waste Overflow System is fitted, empty this and flush through with a small amount of sanitisation fluid if needed.



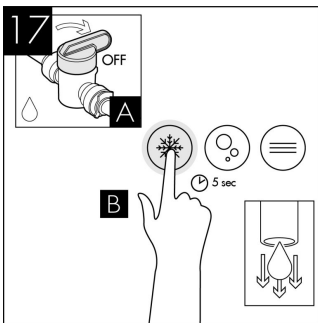
Attend to any cosmetic marks as needed. For this we recommend the use of Bioguard External Sanitiser.



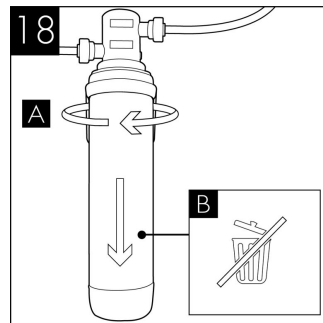
Reconnect the power and switch on the dispenser.



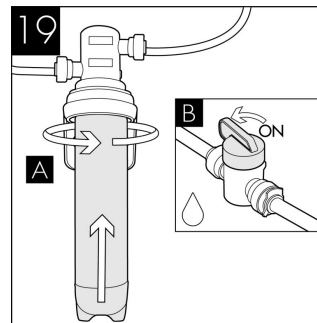
When the external cleaning (minimum 5 minutes) is completed, flush the machine using the chilled button with clean water until the dispense water runs clear. Repeat briefly with the ambient and sparkling buttons if present.



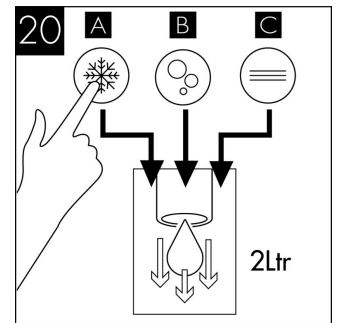
Turn off water and briefly press chilled dispense button to release internal water pressure from the machine.



Remove the service filter. Retain service filter for reuse.



Fit new filter and turn on incoming water supply.



Pre-flush the new filter to waste using the chilled button until the water appears clear and is free of air. Flush through a small amount of water to check all functions.



Please note that this sanitisation fluid contains an active caustic/alkaline agent. Always use responsibly and with care remembering that due to its alkaline nature unnecessary concentrated/prolonged contact with any materials, including metals, can cause damage. Always rinse all contact surfaces after use with clean water.

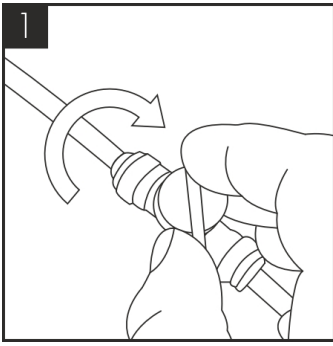


Avoid skin contact and wear protective gloves when handling sanitisation fluids.

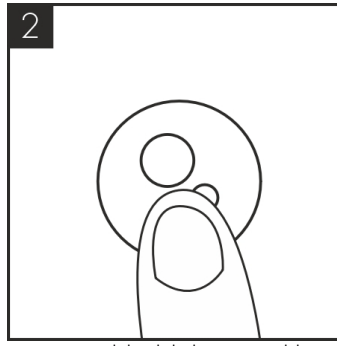


In the event of any skin contact, flush immediately with clean, cold water.

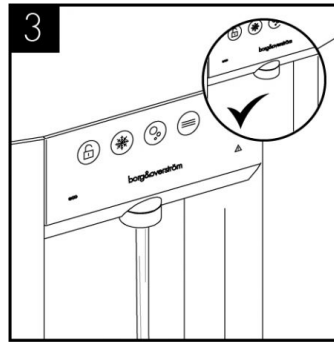
Emptying the CO2 Tank



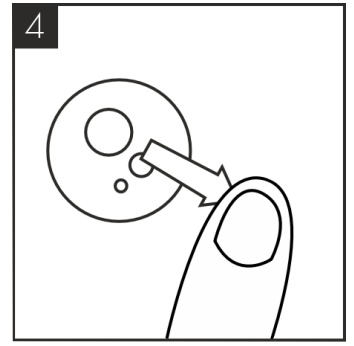
Turn off the water supply.



Press and hold the Sparkling water dispense button until all the water is expelled and only CO₂ gas is being released.



The tank is empty of sparkling water when only CO₂ is being released.



Ensure to release the Sparkling water button and take care to avoid releasing excess amounts of CO₂ gas as this may damage the tank.